

E0DD-00201

DVI Fiber Optic Extender

User Manual



1. Description

The E0DD-00201 Fiber optic extender provides extension of DVI signals long distances over one fiber optic cable, it supports high resolution up to 1080P, EDID copy function. The extender can use for a wide range of applications requiring long distance transmission of high resolution with high quality by its good stability and powerful security.

2. Features

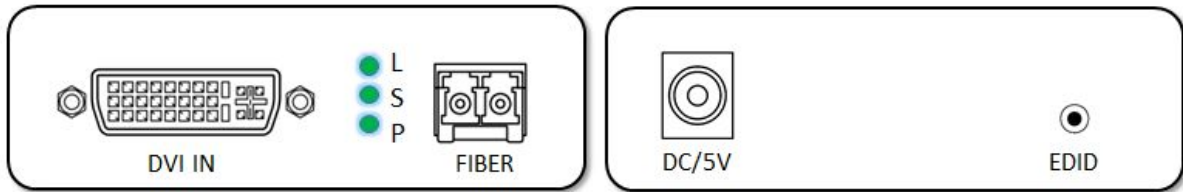
- Transmits DVI video signals up to 2km-10km over one fiber optic cable;
- Support video resolution up to 1920*1200@60Hz;
- Support copy EDID, can match many kind display device;
- Compliance with DVI 1.0 and HDCP 1.2 standard;
- High compatibility, can auto-match source and display device;
- Built-in automatic adjustment system, make the image smooth, clear and stable;
- Built-in ESD protection system;
- Simple to install, plug and play;

3. Specifications

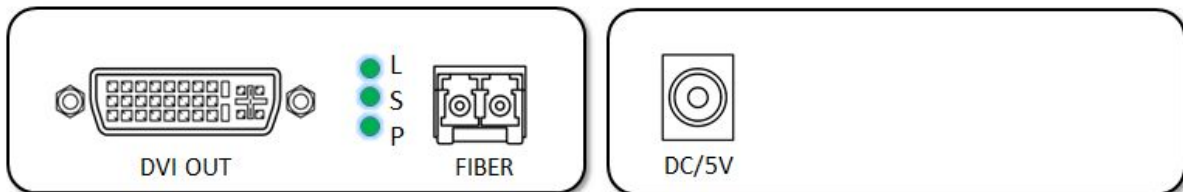
	Parameter	Description
Video	Standards	DVI 1.0; HDCP 1.2
	Maximum pixel clock	165MHz
	Maximum data rate	6.75Gbps
	Resolution range	Up to 1920X1200@60Hz
	Connector	DVI-D
	Impedance	100 Ω
Optical fiber	Interface	SFP model - LC connector
	Fiber type	Single-mode
	Wavelength	Single-mode 1310nm(optional)
	Interface bandwidth	10Gbps
	Transmission distance	Single-mode fiber: standard 2km; maximum 10km
Other	Power supply	The power adapter: DC 5V/2A
	Power dissipation	MAX 5W
	Temperature	Operating: $-5^{\circ}\text{C} \sim +70^{\circ}\text{C}$
	Humidity	Operating: 5% \sim 90%
	Dimension	94.5*73*26mm
	The warranty	1 year free warranty

4. Panel

Transmitter:



Receiver:



Port name	Description
DVI IN/OUT	DVI signal input/output
EDID	EDID button, press 3 second to copy EDID of display device
DC/5V	Power adapter socket
FIBER	SFP model --- LC connector
LED indicator	Description
L	Optical fiber signal connection indicator
S	Video signal connection indicator
P	System power indicator

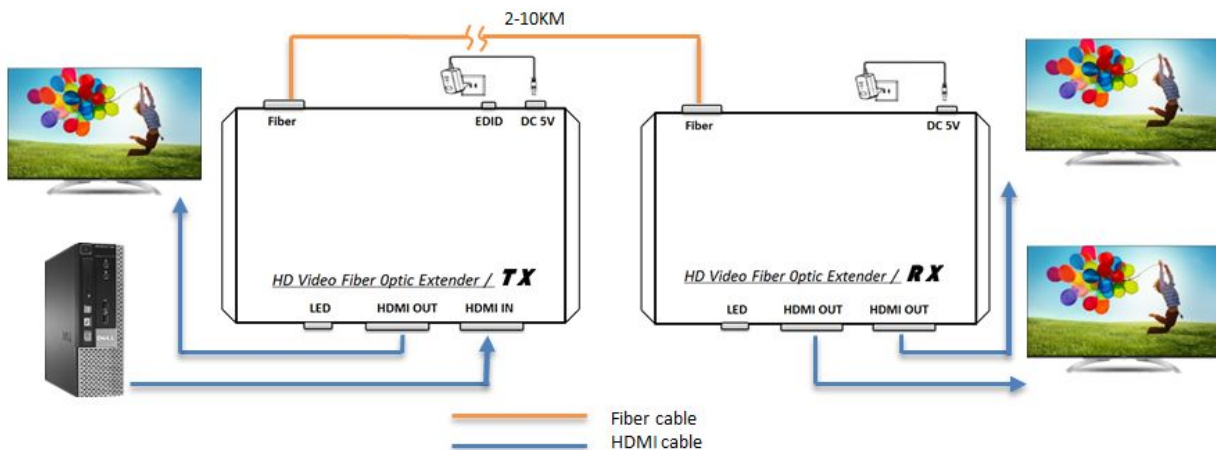
5. Package list

- DVI optical fiber transmitter 1 pc
- DVI optical fiber receiver 1 pc
- Fiber optic module TX/RX 1 set
- Power adapter 2 pcs
- User manual 1 pc

6. Installation

1. Connect the provided DC/5V power supplies to the power socket of the transmitter and the receiver,
2. Connect an DVI cable between the DVI input port of transmitter and the DVI output port of the video source,
3. Connect the DVI output port of receiver to the display device with DVI cable,
4. Connect the transmitter optical port to the receiver optical port using one fiber optic cable.

7. Diagram



8. Warranty

Thank you very much for using our products.

The warranty time is one year and life-long maintenance. During this period, any belongs to under normal usage circumstance cause because of the product quality' s problem of breakdown, our company will be responsible for giving free maintain.

Free maintain won' t be given under the following circumstance:

- The malfunction and damaged caused by incorrect use, the unauthorized repairs and alteration;
- The damage caused by fire, flood, abnormal voltage, other natural disasters and secondary product damage;
- The product malfunction caused by not in accordance with the user manual operation;
- The malfunction and damaged caused by the other barriers (man-made factors or external device);

Warranty card

Product information			
Model NO		Product code	
Date of purchase			
Malfunction description			
Custom information			
Name		Telephone	
Company		E-mail	
Address			

